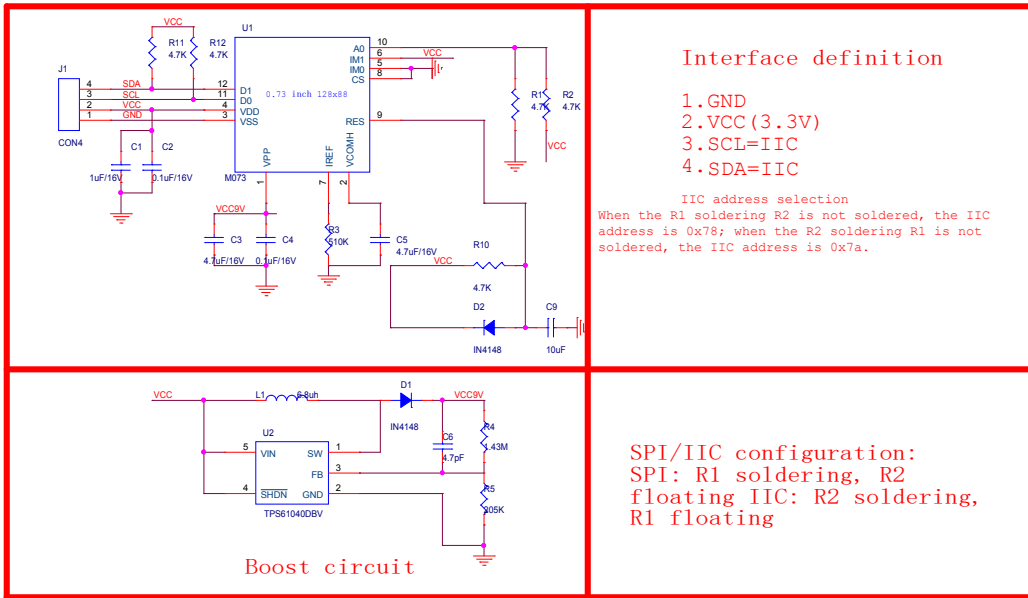


Specification Sheet

Model No. : ZJY014

Description : 0.73inch OLED Screen resolution 128*88
Size:24.6*27.78mm Driver Chip SH1107 interface IIC 4Pin
Voltage 3.3-5V Font Color Option White ZJY014

0.73 inch 128X88 OLED Module Schematic
 communication interface is IIC interface
 Driver chip: SSH1107



Interface definition

1. GND
2. VCC (3.3V)
3. SCL=IIC
4. SDA=IIC

IIC address selection
 When the R1 soldering R2 is not soldered, the IIC address is 0x78; when the R2 soldering R1 is not soldered, the IIC address is 0x7a.

Boost circuit

SPI/IIC configuration:
 SPI: R1 soldering, R2 floating
 floating IIC: R2 soldering, R1 floating